

Model: ECA 116 L03 12P

Data

Type: Condensers
Producer: Friga-Bohn
Series: ECA

Model: ECA 116 L03 12P

Condenser technical data

Speed:	<u>low</u>	<u>high</u>
Air flow [m ³ /h]:		29100
Exchange surface [m ²]:		407
Inner volume [dm ³]:		42
Weight [kg]:		535

Fans technical data

Count:		3
Diameter [mm]:		900
Speed:	<u>low</u>	<u>high</u>
RPM [min ⁻¹]:		500
Power input [W]:	280	500
Current [A]:	0,8	1,8
Power supply [V/f/Hz]:		400V/3/50Hz

Acoustic data

Speed:	<u>low</u>	<u>high</u>
Sound power level :		77
Sound pressure level :		39

Connections

	<u>milimeters</u>	<u>inches</u>
Inlet:		1 5/8"
Outlet:		1 5/8"

Model: ECA 116 L03 12P

Capacity

R404A/R507

Cooling capacity [kW] (high speed)

TD \ t_a	15	20	25	30	35	40	45	50
8	63.72	62.93	61.87	60.65	59.37	58.15	57.09	56.29
10	79.65	78.66	77.33	75.81	74.22	72.69	71.36	70.37
12	95.59	94.39	92.80	90.97	89.06	87.23	85.64	84.44
14	111.52	110.12	108.27	106.13	103.90	101.77	99.91	98.52
16	127.45	125.86	123.73	121.29	118.75	116.30	114.18	112.59
18	143.38	141.59	139.20	136.45	133.59	130.84	128.46	126.66
20	159.31	157.32	154.67	151.62	148.43	145.38	142.73	140.74

Cooling capacity [kW] (low speed)

TD \ t_a	15	20	25	30	35	40	45	50
8	63.72	62.93	61.87	60.65	59.37	58.15	57.09	56.29
10	79.65	78.66	77.33	75.81	74.22	72.69	71.36	70.37
12	95.59	94.39	92.80	90.97	89.06	87.23	85.64	84.44
14	111.52	110.12	108.27	106.13	103.90	101.77	99.91	98.52
16	127.45	125.86	123.73	121.29	118.75	116.30	114.18	112.59
18	143.38	141.59	139.20	136.45	133.59	130.84	128.46	126.66
20	159.31	157.32	154.67	151.62	148.43	145.38	142.73	140.74

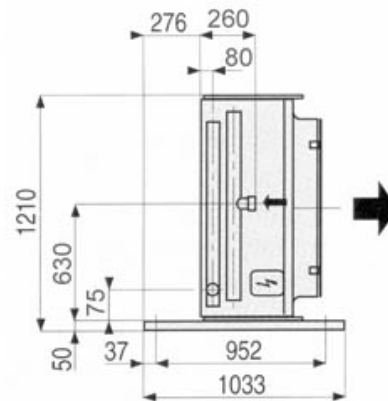
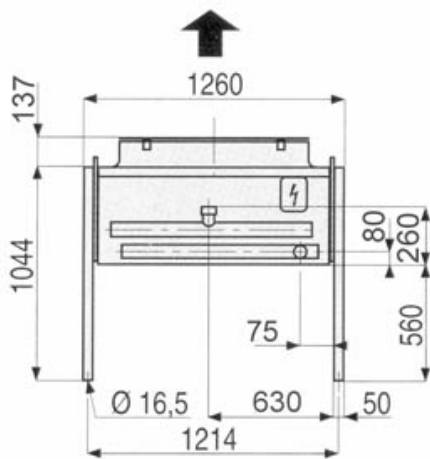
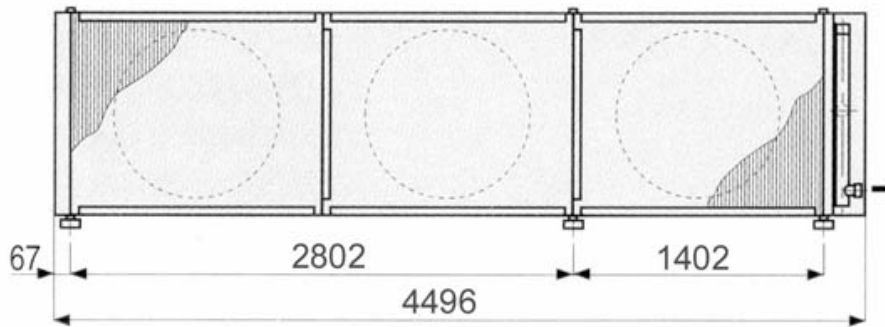
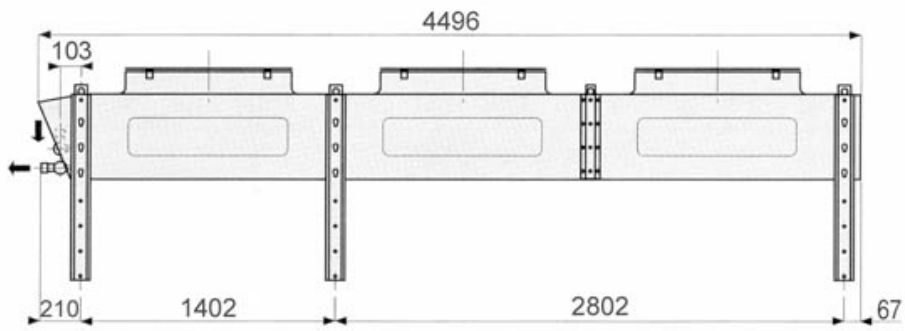
Operating conditions: height 0 m above sea level, aluminium fins

t_a - Room temperature [°C]

TD - Difference between evaporating and room temperature [K]

Model: ECA 116 L03 12P

Dimensions



Model: ECA 116 L03 12P

Image

